

SPENCER

REPEATING CARBINE

OWNER'S MANUAL



CHIAPPA
firearms

Table of Contents

Introduction.....	1
Safety.....	2-4
Handling.....	4
Ammunition.....	5-6
Loading.....	6
Unloading.....	7
Firing.....	7-8
Malfunction.....	8
Disassembly.....	9

OPERATOR'S MANUAL

Please read and understand this manual before loading, firing or servicing your rifle. You accept full responsibility for the use or misuse of this rifle or any other rifle.

It is important that you read and fully understand all the safety procedures and the operation of this rifle, especially before firing this rifle.

It is of the utmost importance that you are responsible rifle owner. Careless rifle use may result in serious harm or death. Please follow all safety rules at all times with this rifle or any other rifle.

Armi Sport – Chiappa Firearms and the Importer are not responsible for any misuse of the rifle.

Please contact us if you do not understand anything in this manual or you have any questions concerning your rifle.

Please fill in this information immediately and keep for your records.

Model _____

Serial Number _____

Caliber _____

Purchase Date _____

Owner _____

SAFETY

NEVER transport a loaded rifle.

Never use the half-cock as a safety. The only safe way to carry your rifle loaded is with the chamber empty.

Keep the muzzle pointed in a safe direction.

Never point the rifle at anyone, even if it is unloaded.

Do not drop or roughly handle your rifle.

Do not chamber a round until you are ready to fire at the intended target.

Cock the hammer only when ready to shoot.

After chambering a round and cocking the hammer, do not put your finger on the trigger until you have the sight on the target.

Be sure of anything that may be behind your target, in case of ricochet or penetration through the target.

Be sure your rifle is free of bore obstructions and that the chamber and barrel is free of grease or oil.

Unload your rifle before storage, transportation, handing it to someone else, laying it down, or leaning it against an object, or before leaving it unattended for any reason.

Old or reloaded ammunition is not safe. Use only clean high-quality commercial ammunition.

Keep the ammunition away from heat sources.

Know the proper ammunition for your rifle. And double-check the ammunition before loading it in your rifle.

If your rifle fails to fire after you have pulled the trigger, keep the rifle pointed at the target for at least thirty seconds. After 30 seconds if nothing happens, try pulling back the hammer all the way and pull the trigger. If the rifle still fails to fire after 30 seconds, eject the round.

Always make sure anyone around you is at least 10 feet to the rear of you while firing, loading and unloading.

Always wear protective shooting eyewear and hearing protection when ever firing, loading or unloading your rifle.

Shooting at rocks, water, or any hard surface can result in a ricochet.

Never fire your rifle if there is water, dirt, snow or any other debris in the barrel.

Always carry the rifle with the end of the barrel pointed in a safe direction.

Do not cross fences or climb tree with a loaded rifle.

Rifles should be stored separately from the ammunition and out of reach of children.

Do not use a rifle when under the influence of alcohol or drugs. If you are taking any medications please consult your physician about the effects it may have on your vision, coordination or judgment before firing any rifle.

Consider all rifles to be loaded at all times.

Do not alter or modify your rifle in any way.

Any violation of the rifle cancels our warranty service and releases Armi Sport and the Importer from any responsibility.

Do not alter the trigger pull.

The extra ordinary maintenance beyond standard cleaning must be made only from authorized personnel from Armi Sport or Importer.

The hammer should be in half-cock position before you breech your carbine.

Any after market accessories or alterations may result in rendering your rifle less safe.

It is absolutely forbidden to cancel or alter the serial number of the rifle.

If your rifle malfunctions in any way, do not un it. Contact the importer or Armi Sport for servicing information and direction for service.

If a shot sounds weak or unusual, do not fire another round through your rifle. Unload the rifle and check the bore for obstructions.

If a bore obstruction is present, have the obstruction removed by competent gunsmith or contact the Importer or Armi sport for servicing information and directions for service.

ALWAYS KEEP YOUR RIFLES OUT OF REACH OF ANYONE UNDER THE AGE OF 18.

HANDLING

Before attempting to load and fire your Spencer, follow the directions as described in the loading section. Practice with a dummy round or without ammunition to familiarize yourself with your new rifle. This will give you a feel for the working mechanisms and the trigger pull.

AMMUNITION

WARNING: Armi Sport and their Importer disclaims any responsibility for any damage or injury whatsoever that occurs in connection with or as a result of the use in Armi Sport firearms of faulty, non-standard, remanufacture, or hand loaded (reload) ammunition or as a result of the use of cartridges other than those for which the rifle was originally chambered.

FLAT-NOSED BULLETS are the only type to be used in your Spencer, use of pointed bullets is dangerous and could result in accidental primer ignition.



Do not use ammunition that is questionable in identity or with an absent or unclear stamp.

Use only commercially loaded ammunition in the proper caliber for your rifle.

Death or serious injury may result from excessive pressure. The rifle may sustain damage. Excess pressure can be caused by chamber or bore abstractions, overloaded or improperly assembled ammunition.

LOADING

Point de rifle in a safe direction with the muzzle pointing down.

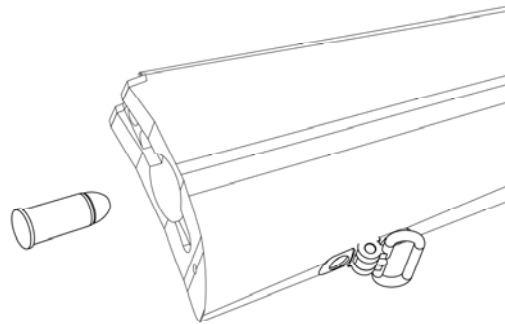
Make sure the lever is in the upper position against the rifle.

With your thumb, press the upper end of the magazine tube base 90 degrees downward to your right and withdraw it completely from the magazine well.

With the exposed FLAT-NOSE BULLET pointing toward the muzzle, load the cartridges with the correct number of rounds according to the caliber.



Remember use only FLAT NOSED BULLETS. You must hold the rifle at an angle so that the cartridges slide down the magazine instead of dropping in.



After all rounds have been placed into the magazine well, insert the magazine tube into the magazine well until the magazine tube base is even and 90 degrees to the right of the butt plate.

Then rotate the magazine tube base 90 degrees to your left.

UNLOADING

Point the rifle in a safe direction with the muzzle pointing up.

Lower the lever to the full extent.

With the muzzle pointed down, in a safe direction, withdraw the magazine tube, then elevate the muzzle upward and allow the unfired rounds to slide out into your hand or a soft surface.

Visually inspect the chamber, magazine tube and magazine for any missed rounds.

Replace the magazine tube.

FIRING

Place your protective eyewear and ear protection on.

Point the rifle in a safe direction.

Move the lever to its down most position. The breechblock will then pick up a round from magazine well.

Bring the lever back up to the up most position. The round is now chambered.

Put your rifle to your shoulder and aim at the intended target.

Pull the hammer back two clicks.

Place finger on the trigger and squeeze the trigger.

After the shot is fired, pull the lever down.

The empty case will have been extracted and fallen to the rear.

Pull the lever back up until the lever is all the way up and touching the rifle.

Now a new round will have been inserted into the chamber.

Tip: We have found that the Spencer functions best if the lever is moved briskly through its downward and upward travel without hesitation between the downward and upward strokes.

MALFUNCTION

If a cartridge hangs up, binds, jams, or fails to feed, do not force it into the chamber by pushing or striking the lever.

Most failure to feed are due to improperly loaded, damaged, or dirty ammunition, or improper rifle handling.

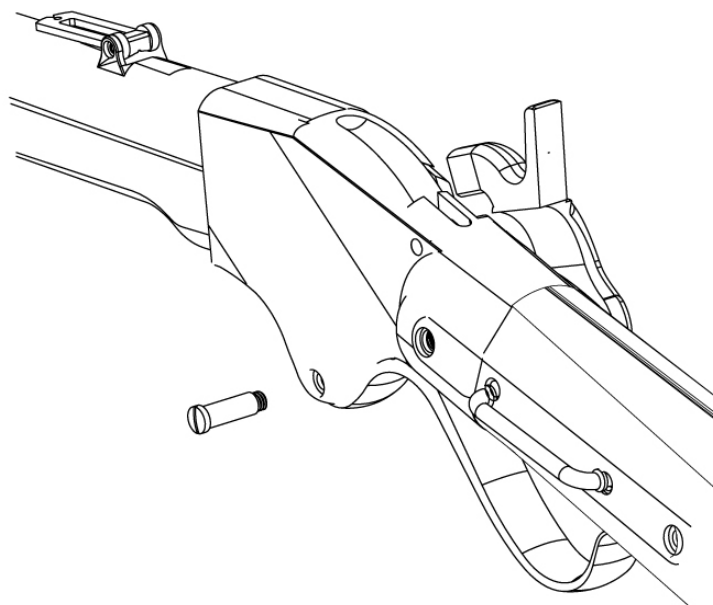
If a jam or failure to feed occurs, point the rifle in a safe direction and place the hammer at the half-cock position.

Point the rifle barrel towards the sky and remove the magazine tube. Allow all the rounds in the magazine well to slide out off the rifle. When the magazine well is empty, with the rifle pointed skyward, gently lower the lever and allow the stuck round to slide to the rear and out of the magazine well. Check to see if there is a round in the chamber. When the rifle has been completely unloaded, it may again be loaded in the proper procedure.

DISASSEMBLY

Unload the rifle.

Remove the magazine tube from the magazine well. Unscrew the lever screw 13 (hinge pin) and the lever and breech block assembly out the underside of the action (receiver). Use a hollow ground screwdriver of the correct fit to avoid damage to the screw.

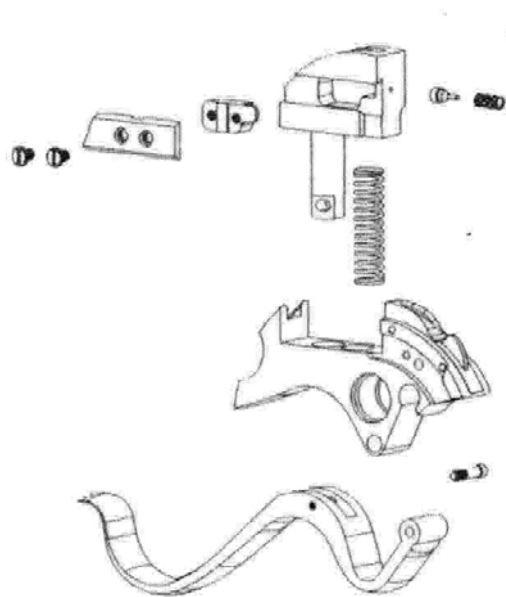


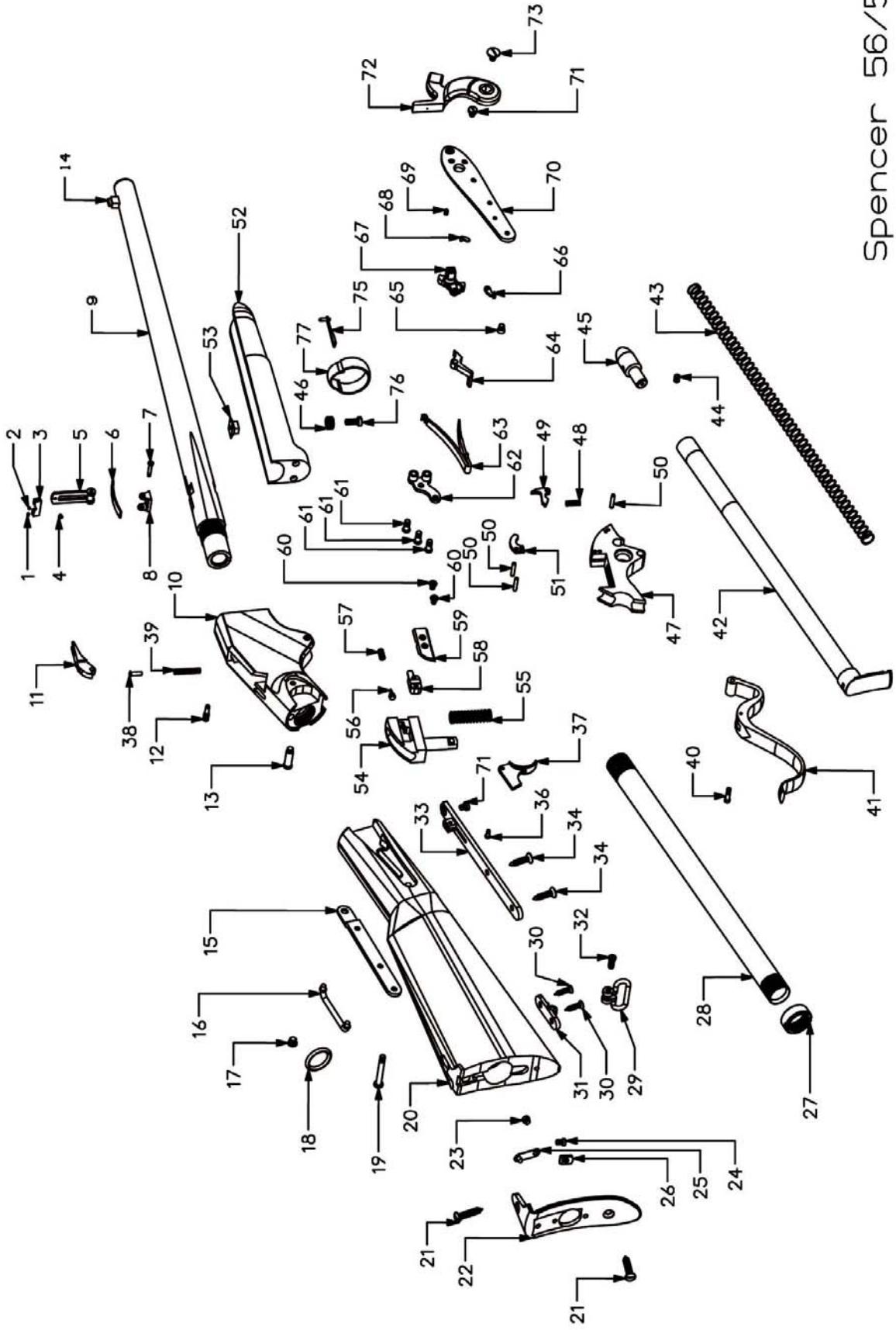
Disassembly of the breechblock:

Remove the block to lever screw located on the right, and separate the upper and lower breech block assemblies. The lever will slide out of the lower breech block right to left.

Removal of the transfer bar is done by unscrewing the transfer bar screw located on the right side of the upper breech block. The transfer bar is removed by sliding it to the right.

Disassembly of the lock plate mechanism is normally not necessary and should only be done by a competent gunsmith.

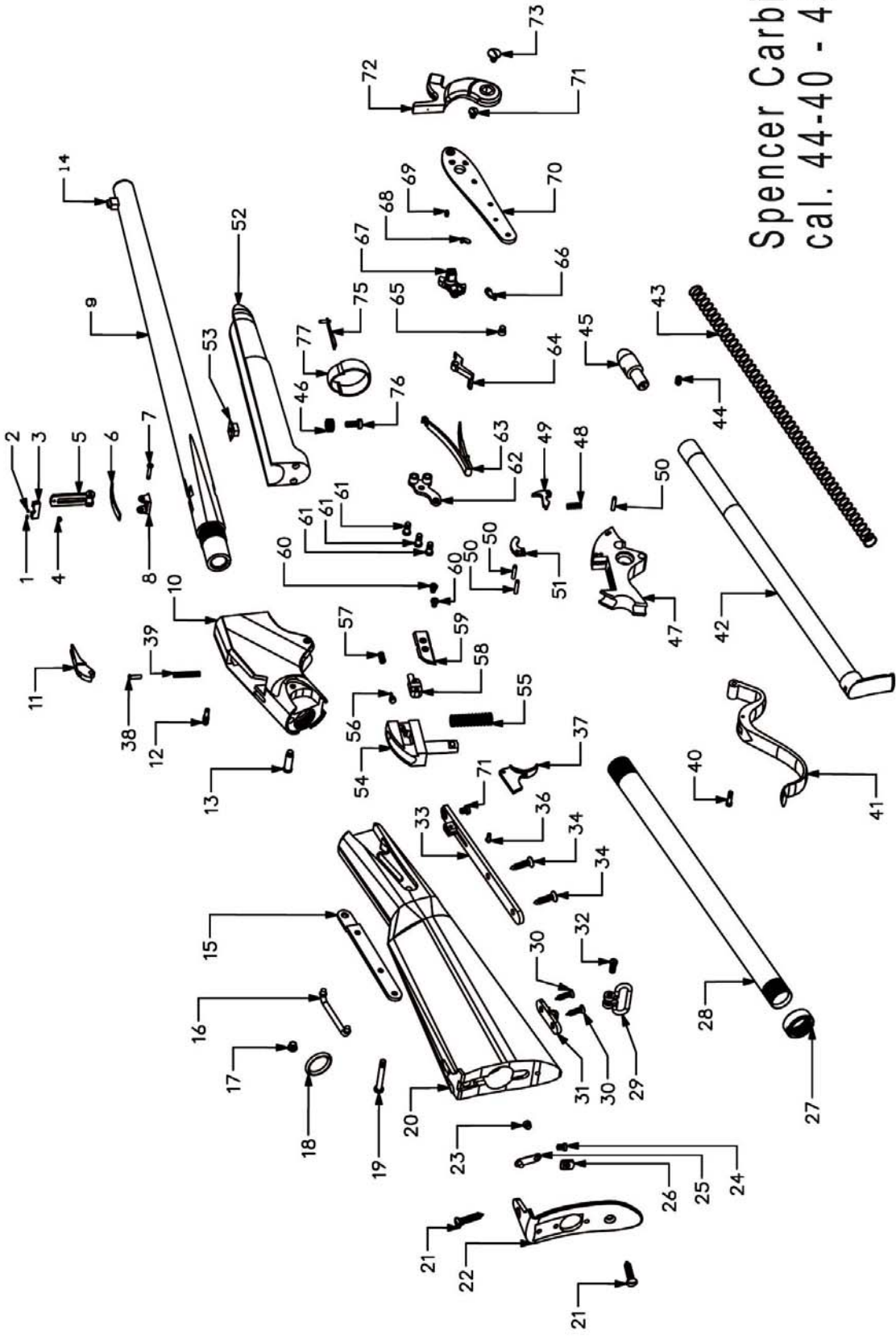




Spencer 56/50

920.021
1865 SPENCER CARBINE .56/50

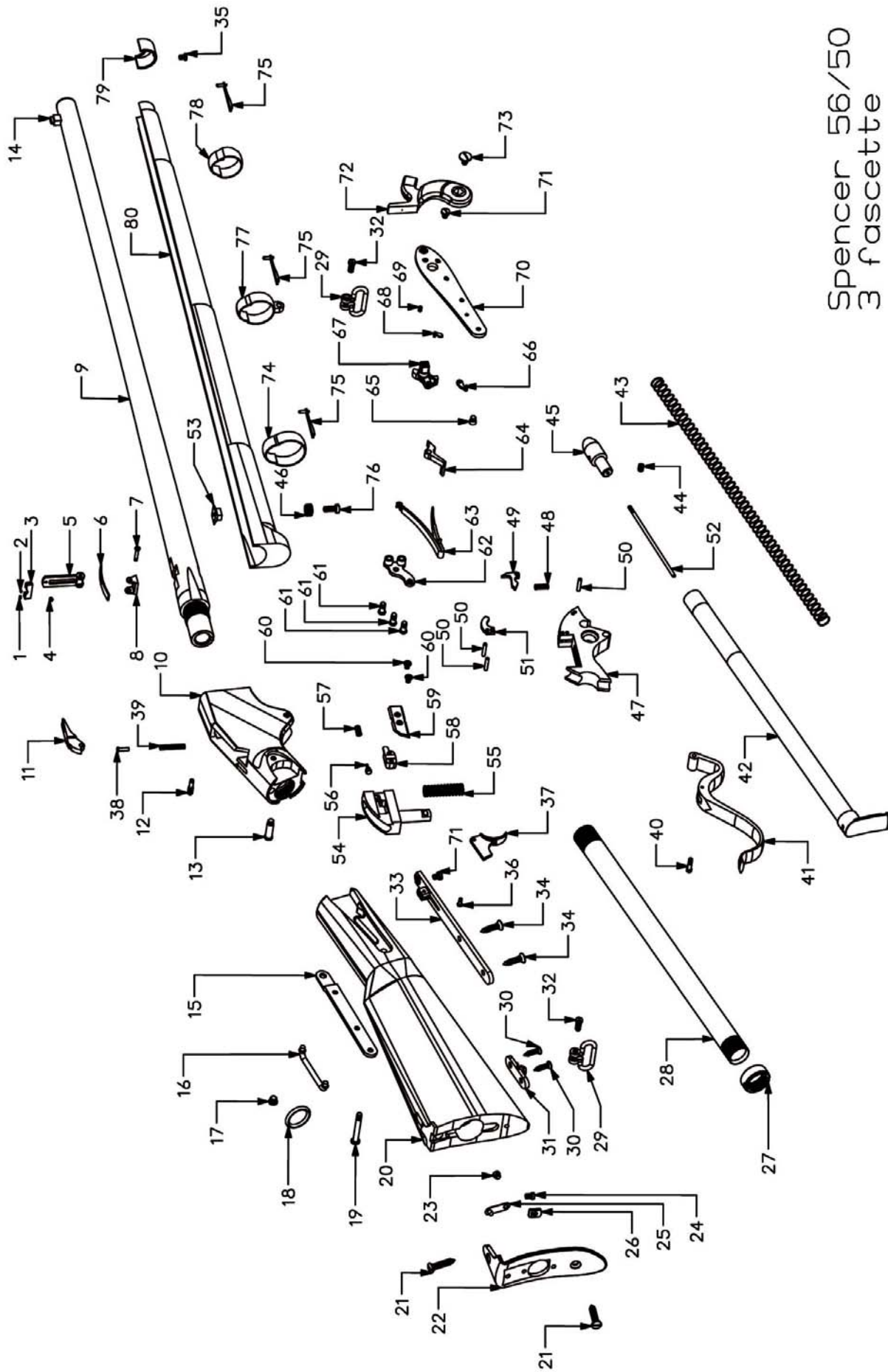
ITEM	REF.	DESCRIPTION	ITEM	REF.	DESCRIPTION
O98.155		STOCK COMPLETE	730.299	76	Forend screw
780.017	20	Stock	790.144	77	Barrel band
760.030	22	Butt plate	721.076	75	Band spring
730.247	23	Magazine catch spring screw	O98.159		lower block assy
730.203	24	Magazine base catch screw	770.184	47	Lower Block
730.118	28	Magazine seat tube	770.109	51	Cam
730.119	27	Clamping tube ring	130.012	50	Cam pin
770.009	26	Magazine base catch	770.105	49	extractor
721.037	25	Magazine catch spring	720.035	48	extractor spring
730.209	21	Butt plate screw	O98.160		block assy
O98.156		Trigger guard assy	770.110	54	Upper block
790.138	37	Trigger	730.442	60	Percussion plate screw
790.140	33	Trigger guard	720.033	57	Firing pin spring
730.244	36	Trigger screw	730.241	56	Firing pin
O98.032		Lock assy	770.012	59	Percussion plate
721.075	63	Main spring	770.011	58	Firing pin pusher
730.220	61	Bridle screw	710.056	9	barrel 56/50 carbine finished
730.219	65	Hammer spring screw	770.119	14	front sight
770.146	64	Sear	790.143	53	Barrel lug
770.081	62	Bridle	O98.041		rear sight assy
790.159	72	Hammer	790.145	8	Rear sight base
770.029	70	Lock plate	730.100	7	Rear sight side screw
770.083	68	Fly	721.077	6	Rear sight base spring
730.205	73	Hammer screw	790.149	3	Rear sight slide
770.089	67	Tumbler	790.142	5	Rear sight ladder
770.082	66	Stirrup	130.021	2	Slide sphere
730.204	69	Stirrup screw	720.032	1	Slide spring
O98.157			730.215	4	Rear sight slide screw
770.186	10	Receiver	O98.162		forend assembly
770.202	15-16-18	saddle ring holder with ring and bridge	780.020	52	Forend
720.034	55	Block spring	730.208	46	Forend escutcheon
730.267	34	Trigger guard screw	O98.141		swivel mount assy
720.068	39	Cartridge spring keeper	790.130	31	Swivel mounting plate
730.226	40	Block to lever screw	790.129	29	Swivel
730.225	12	Cartrige keeper lever screw	730.250	32	Swivel screw
730.223	17	Front saddle bar screw	730.078	30	swivel mount screw
730.221	13	Lever action screw	O98.161		magazine tube assy
730.218	19	Read saddle bar screw	770.201	42	magazine tube assy
770.183	11	Cartridge keeper lever	720.029	43	magazine spring
770.027	41	Lever	730.252	45	follower
730.224	71	Front lock screw	730.232	44	magazine screw
730.436	38	cartridge keeper lever pin			



Spencer Carbine
cal. 44-40 - 45LC

920.062-084
SPENCER CARBINE 44/40 -- 45LC

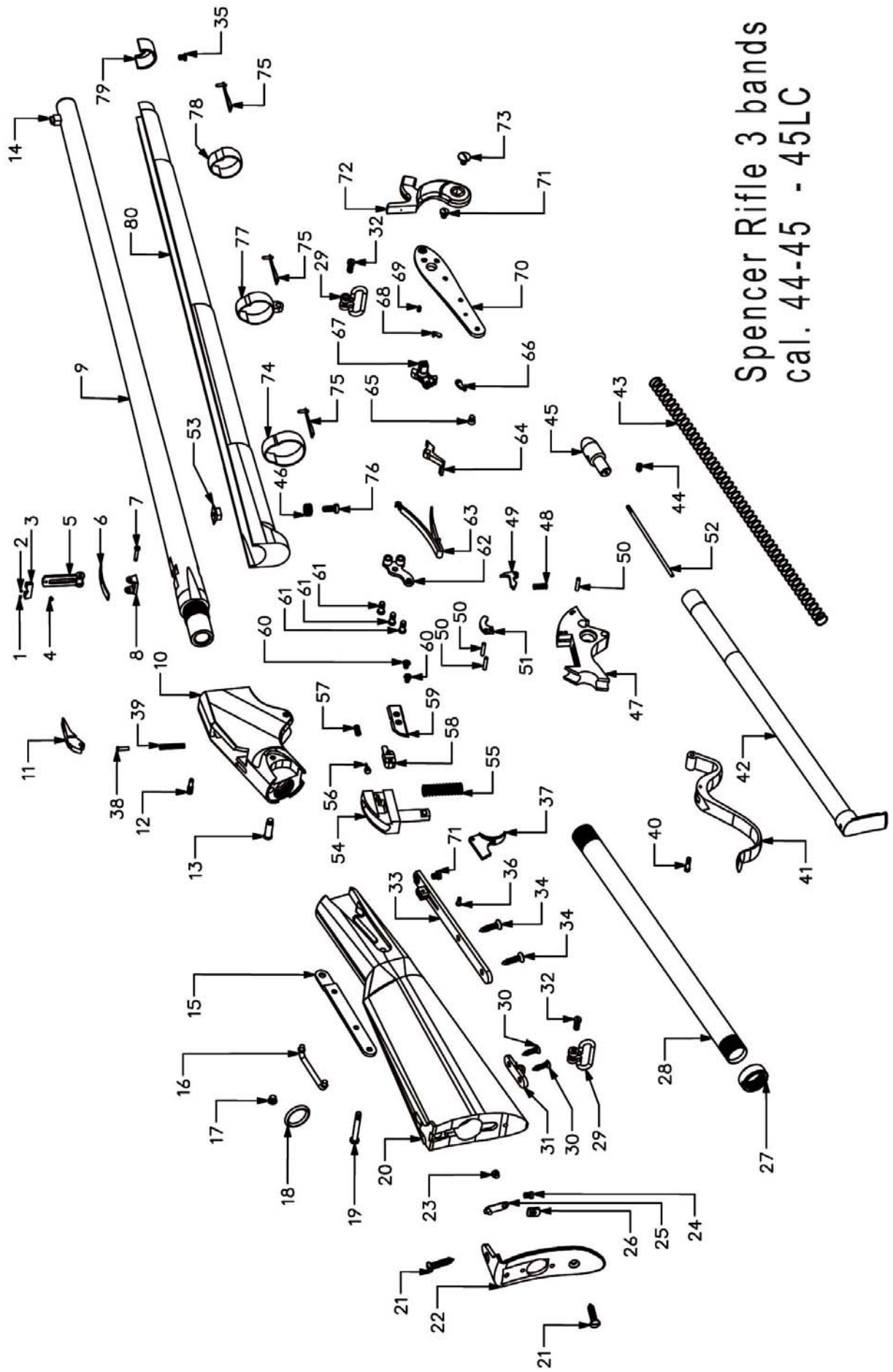
ITEM	REF.	DESCRIPTION	ITEM	REF.	DESCRIPTION
O98.155		STOCK COMPLETE	721.076	75	Band spring
780.017	20	Stock	O98.202		lower block assy
760.030	22	Butt plate	770.184	47	Lower Block
730.247	23	Magazine catch spring screw	770.279	51	Cam
730.203	24	Magazine base catch screw	130.012	50	Cam pin
730.118	28	Magazine seat tube	770.280	49	extractor
730.119	27	Clamping tube ring	720.035	48	extractor spring
770.009	26	Magazine base catch	O98.203		block assy
721.037	25	Magazine catch spring	770.281	54	Upper block
730.209	21	Butt plate screw	730.442	60	Percussion plate screw
O98.156		Trigger guard assy	720.033	57	Firing pin spring
790.138	37	Trigger	730.241	56	Firing pin
790.140	33	Trigger guard	770.012	59	Percussion plate
730.244	36	Trigger screw	770.011	58	Firing pin pusher
O98.032		Lock assy	710.161	9	barrel 44/40 carbine finished
721.075	63	Main spring	710.163		barrel 45 LC carbine finished
730.220	61	Bridle screw	770.119	14	front sight
730.219	65	Hammer spring screw	790.143	53	Barrel lug
770.146	64	Sear	O98.041		rear sight assy
770.081	62	Bridle	790.145	8	Rear sight base
790.159	72	Hammer	730.100	7	Rear sight side screw
770.029	70	Lock plate	721.077	6	Rear sight base spring
770.083	68	Fly	790.149	3	Rear sight slide
730.205	73	Hammer screw	790.142	5	Rear sight ladder
770.089	67	Tumbler	130.021	2	Slide sphere
770.082	66	Stirrup	720.032	1	Slide spring
730.204	69	Stirrup screw	730.215	4	Rear sight slide screw
O98.157			O98.162		forend assembly
770.186	10	Receiver	780.020	52	Forend
770.202	15-16-18	saddle ring holder with ring and bridge	730.208	46	Forend escutcheon
720.034	55	Block spring	O98.141		swivel mount assy
730.267	34	Trigger guard screw	790.130	31	Swivel mounting plate
720.068	39	Cartridge spring keeper	790.129	29	Swivel
730.226	40	Block to lever screw	730.250	32	Swivel screw
730.225	12	Cartridge keeper lever screw	730.078	30	swivel mount screw
730.223	17	Front saddle bar screw	O98.209		magazine tube assy
730.221	13	Lever action screw	770.201	42	magazine tube assy
730.218	19	Rear saddle bar screw	720.029	43	magazine spring
770.183	11	Cartridge keeper lever	730.252	45	follower
770.027	41	Lever	730.232	44	magazine screw
730.224	71	Front lock screw	730.555	52	Magazine reduction
730.436	38	cartridge keeper lever pin	790.144	77	Barrel band
730.299	76	Forend screw	790.129	29	Swivel
790.144	77	Barrel band	730.250	32	Swivel screw



Spencer 56/50
3 fascette

920.061
SPENCER RIFLE .56/50 3 BANDS

ITEM	REF.	DESCRIPTION	ITEM	REF.	DESCRIPTION
O98.155		STOCK COMPLETE	770.109	51	Cam
780.017	20	Stock	130.012	50	Cam pin
760.030	22	Butt plate	770.105	49	Extractor
730.247	23	Magazine catch spring screw	720.035	48	Extractor spring
730.203	24	Magazine base catch screw	O98.160		UPPER BLOCK ASS.
730.118	28	Magazine seat tube	770.110	54	Upper block
730.119	27	Clamping tube ring	730.442	60	Percussion plate screw
770.009	26	Magazine base catch	720.033	57	Firing pin spring
721.037	25	Magazine catch spring	730.241	56	Firing pin
730.209	21	Butt plate screw	770.012	59	Percussion plate
O98.156		TRIGGER GUARD ASS.	770.011	58	Firing pin pusher
790.138	37	Trigger	710.145	9	
790.140	33	Trigger guard	770.119	14	Front sight
730.244	36	Trigger screw	O98.041		REAR SIGHT ASSEMBLY
O98.032		LOCK COMPLETE	790.145	8	Rear sight base
721.075	63	Main spring	730.149	7	Rear sight side screw
730.220	61	Bridle screw	721.077	6	Rear sight base spring
730.219	65	Hammer spring screw	790.149	3	Rear sight slide
770.146	64	Sear	790.142	5	Rear sight ladder
770.081	62	Bridle	130.021	2	Slide sphere
790.159	72	Hammer	720.032	1	Slide spring
770.029	70	Lock plate	730.215	4	Rear sight slide screw
770.083	68	Fly	O98.201		FOREND 3 BANDS ASSY
730.205	73	Hammer screw	780.051	80	forend
770.089	67	Tumbler	730.208	46	side plate screw
770.082	66	Stirrup	770.095	79	nose cap
730.204	69	Stirrup screw	730.214	35	nose cap screw
O98.157			O98.140		MID BARREL BAND ASS.
770.186	10	Receiver	790.127	77	barrel band middle
770.202	15-16-18	Saddle ring complete	790.129	29	swivel band
720.034	55	Block spring	730.250	32	swivel belt screw
730.267	34	Trigger guard screw	O98.141		SWIVEL MOUNT PLATE ASS.
720.068	39	Cartridge spring keeper	790.130	31	Swivel mounting plate
730.226	40	Block to lever screw	790.129	29	Swivel
730.225	12	Cartridge keeper lever screw	730.250	32	Swivel screw
730.223	17	Front saddle bar screw	730.078	30	Triggerrguard screw
730.221	13	Lever action screw	O98.209		MAGAZINE TUBE COMPLETE
730.218	19	Read saddle bar screw	770.201	42	Magazine tube
770.183	11	Cartridge keeper lever	720.029	43	Magazine tube spring
770.027	41	Lever	730.252	45	follower cap pin
730.224	71	Front lock screw	730.232	44	Retaining screw
730.436	38		730.555	52	Magazine reduction
730.299	76	Forend screw	790.126	74	barrel band rear
790.143	53	Barrel lug	790.128	78	barrel band front
O98.159		LOWER BLOCK ASS.	721.076	75	barrel band spring
770.184	47	Lower Block			



Spencer Rifle 3 bands
cal. 44-45 - 45LC

920.081-085 SPENCER RIFLE 44-40 Win - 45LC					
ITEM	REF.	DESCRIPTION	ITEM	REF.	DESCRIPTION
O98.155		STOCK COMPLETE	130.012	50	Cam pin
780.017	20	Stock	770.280	49	Extractor
760.030	22	Butt plate	720.035	48	Extractor spring
730.247	23	Magazine catch spring screw	O98.203		UPPER BLOCK ASSEMBLY
730.203	24	Magazine base catch screw	770.281	54	Upper block
730.118	28	Magazine seat tube	730.442	60	Percussion plate screw
730.119	27	Clamping tube ring	720.033	57	Firing pin spring
770.009	26	Magazine base catch	730.241	56	Firing pin
721.037	25	Magazine catch spring	770.012	59	Percussion plate
730.209	21	Butt plate screw	770.011	58	Firing pin pusher
O98.156		TRIGGER GUARD ASSY	710.162	9	Barrel 3 bands cal.44-40
790.138	37	Trigger	710.164	9	Barrel 3 bands cal.45 LC
790.140	33	Trigger guard	710.162	9	Barrel 3 bands cal.44-40
730.244	36	Trigger screw	770.119	14	Front sight
O98.032		LOCK COMPLETE	O98.041		REAR SIGHT ASSEMBLY
721.075	63	Main spring	790.145	8	Rear sight base
730.220	61	Bridle screw	730.149	7	Rear sight side screw
730.219	65	Hammer spring screw	721.077	6	Rear sight base spring
770.146	64	Sear	790.149	3	Rear sight slide
770.081	62	Bridle	790.142	5	Rear sight ladder
790.159	72	Hammer	130.021	2	Slide sphere
770.029	70	Lock plate	720.032	1	Slide spring
770.083	68	Fly	730.215	4	Rear sight slide screw
730.205	73	Hammer screw	O98.201		FOREND 3 BANDS ASSY
770.089	67	Tumbler	780,051	80	forend 3 bands
770.082	66	Stirrup	730.208	46	side plate screw
730.204	69	Stirrup screw	770.095	79	nose cap
O98.157			730.214	35	nose cap screw
770.186	10	Receiver	O98.140		MIDDLE BARREL BAND ASSY
770.202	15-16-18	Saddle ring complete	790.127	77	middle barrel band
720.034	55	Block spring	790.129	29	swivel band
730.267	34	Trigger guard screw	730.250	32	swivel belt screw
720.068	39	Cartridge spring keeper	O98.141		SWIVEL MOUNT PLATE ASS
730.226	40	Block to lever screw	790.130	31	Swivel mounting plate
730.225	12	Cartridge keeper lever screw	790.129	29	Swivel
730.223	17	Front saddle bar screw	730.250	32	Swivel screw
730.221	13	Lever action screw	730.078	30	Triggerguard screw
730.218	19	Read saddle bar screw	O98.200		MAGAZINE TUBE COMPL
770.183	11	Cartridge keeper lever	770.201	42	Magazine tube
770.027	41	Lever	720.082	43	Magazine tube spring
730.224	71	Front lock screw	730.252	45	follower cap pin
730.436	38		730.232	44	Retaining screw
730.299	76	Forend screw	790.126	74	barrel band rear
790.143	53	Barrel lug	790.128	78	barrel band front
O98.202		LOWER BLOCK ASSEMBLY	721.076	75	barrel band spring
770.184	47	Lower Block	730.555	52	Magazine reduction
770.279	51	Cam			

GUARANTEE CONDITIONS

Armi Sport guarantees that our products are scrupulously checked against defects in materials, workmanship and aesthetical and functioning problems.

In case you find a defect in one of our products, you should immediately contact the DEALER/SHOP/GUNSMITH where you have bought your gun. The seller will indicate the conditions for the repair, which will be either made directly by them or through our assistance.

ATTENTION: end users are not allowed to ship any gun directly to Armi Sport for repair, either under guarantee or against payment. Transportation of weapons is strictly regulated and the documents which are required can solely be issued by companies with specific authorization.

1. Armi Sport will warrant for structural or project defects without any time limit.
2. Armi Sport guarantees, for a year after the purchase date, the free substitution of parts for defects which have been found out also during use: wear of parts which shouldn't be subject to wear, or excessive wear of parts subject to wear. The customer will have to give evidence of the purchase date with a bill or other valid proof.
3. In case the defect under cover of guarantee is not repairable, Armi Sport will provide for a free substitution of the weapon.

ARMI SPORT RESERVES THE INSINDACABLE FACULTY OF DEFINING THE TYPE OF DEFECT OF THE WEAPON, AND THEREFORE TO STATE WHETHER THE DEFECT IS COVERED BY GUARANTEE –Armi Sport's decision will be fair but final.

Armi Sport will be allowed a timing of 60 days for repair under guarantee, and 90 days for free substitution.

**We strongly recommend that you keep the receipt
or proof of purchase for any Armi Sport product**

THE GUARANTEE IS VOID IN CASE:

- Inadequate ammunition has been used (any ammunition but those commonly on sale, reloaded ammunition, different from caliber and specification indicated on the gun barrel)
- The gun failed to be provided proper maintenance and cleaning
- The gun has been modified without our prior consent
- Unauthorized, inadequate or incorrect repairs have been carried out
- Parts subject to wear and corrosion
- Damage (improper use of the gun by the user)
- Expiry of the guarantee

In the above cases the repair, if carried out, will be charged to the customer

The guarantee does not cover parts subject to wear and corrosion

In case non original spare parts are used, the guarantee or any service contract with Armi Sport will be void.

ATTENTION: delivery expenses to and from the service center are not covered by the guarantee and will be charged to the customer.

In case, for any valid reason, you do not have the possibility to obtain repair under guarantee at the shop where you bought the gun, you may contact us directly; we will indicate a local dealer to support you with the repair file:

e-mail: info@armichiappa.com - Phone: +39/030/9749065
USA: e-mail: info@chiappafirearms.com - Phone: 937-835-5000

Should Armi Sport become aware of a defect of the rifle during the guarantee period, the defective part will be substituted free of charge.

This instruction manual must always follow the firearm, also in case the owner should change

Procedure for the usage of the guarantee

BEFORE shipping the weapon back for repair, the customer should contact the gunshop where the product was bought. The customer should supply proper information on the defect, and the relevant file will then be started.

The gun shop will be given an "NDR" (Repair Number). The weapon will have to be shipped back to the gun shop in its original packing, with a copy of the purchase date, the Guarantee Form (attached) duly filed with indication of the NDR number, according to the instructions of the dealer.

WARNING: the returned gun must be protected with an adequate packaging; any damages occurred during transportation and handling will be the customer's responsibility



Request form

REPAIR UNDER GUARANTEE

NdR NDR : _____

Please write in the above box the Repair Number you were given by the gun shop

1. Customer data:

- Name: _____
- Address : _____
- Town : _____
- ZIP Code : _____
- Phone : _____ Available from ____ to ____
- Fax : _____

2. Product information:

- Model : _____
- Serial number : _____

3. Gun Shop - dealer:

- Purchase date : _____
- Dealer name : _____
- Dealer address : _____

4. Description of defect:

Documents to attach: Proof of the purchase date

SPENCER MODEL – AMMUNITION WARNING

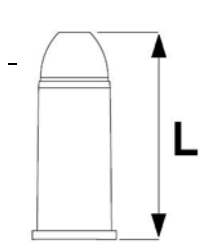
Attention: the correct functioning of this weapon is directly related to the type of ammunition employed. The total length of the ammunition should respect the indication given below with precision, because the mechanical working of this rifle is so complex and particular that it will not work with shorter or longer cartridges.

The Chiappa Firearms Spencer replica was made to reproduce exactly the functioning of the original Spencer model, and therefore reflects the original design also as far as the feeding is concerned.

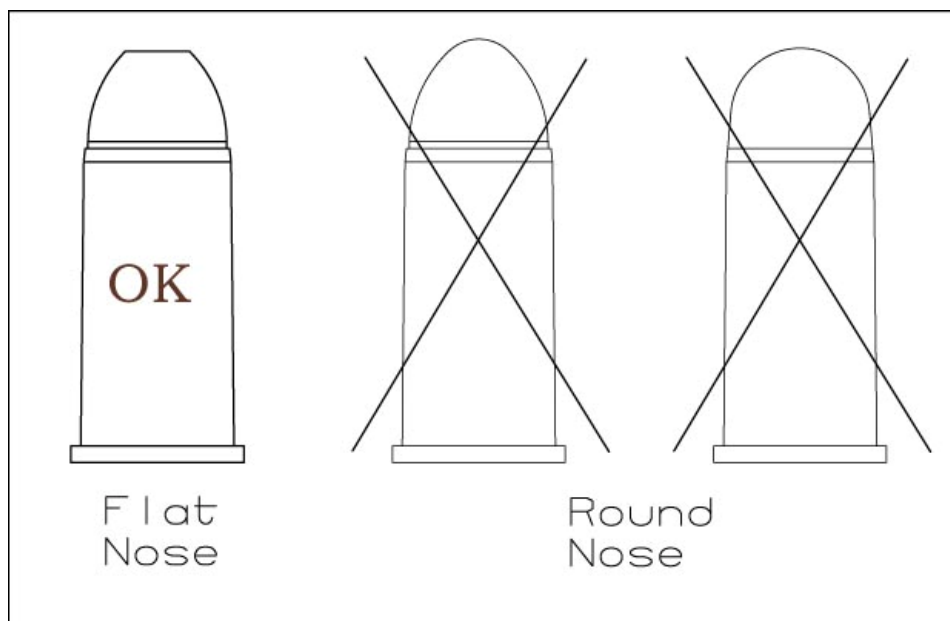
Furthermore you should be careful that the lever should be opened and closed with forceful, quick movements; if you move the lever too slowly or too weakly this may cause friction and jamming.

The type of cartridge which is best suited for this rifle model is the FLAT NOSE (see picture A)

This chart shows the correct cartridge length according to C.I.P. caliber standard

CALIBER	L in mm	L in Inches	
56/50 Spencer	38,56	1,518	
45 LC	40,64	1,600	
44/40 Win	40,44	1,592	
45 S&W Schofield	36,32	1,430	

PICTURE “A”





Armi Sport

Armi Sport

di Chiappa Silvia & C Snc

Via Milano N°2 Azzano Mella (BS)

Tel. 030 9749065 Fax 030 9749232

www.armochiappa.com

email: info@armisport.com

CHIAPPA
firearms

Chiappa Firearms, Ltd.

530 N. Union Road

Dayton, OH 45427 USA

Tel. 937-954-1040

www.chiappafirearms.com

email: info@chiappafirearms.com